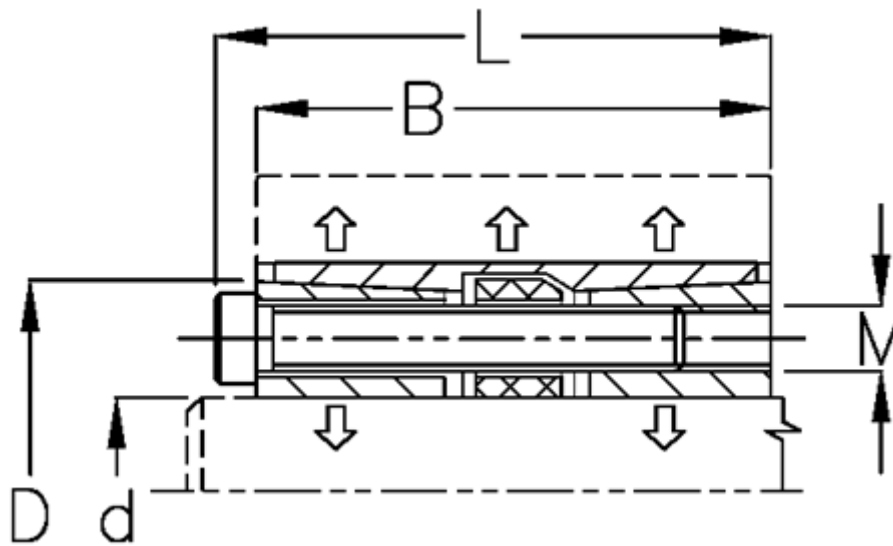


Article number: 439000090

Description: Rota-fix shaft-hub connection G90x130

Note: Self centering - very high torque

## Measures



B mm	= 102
d H8 mm	= 90
D mm	= 130
Fit tolerance	= Aksel h8, Nav H8
F kN torque	= 430
L mm	= 112
M mm	= M10
P N/mm <sup>2</sup> surface pressure on shaft/hub	= 75

Surface roughness	= R? ? 3.2 $\mu$ m
T N m torque	= 16000
Ts N m bolt tightening torque	= 83